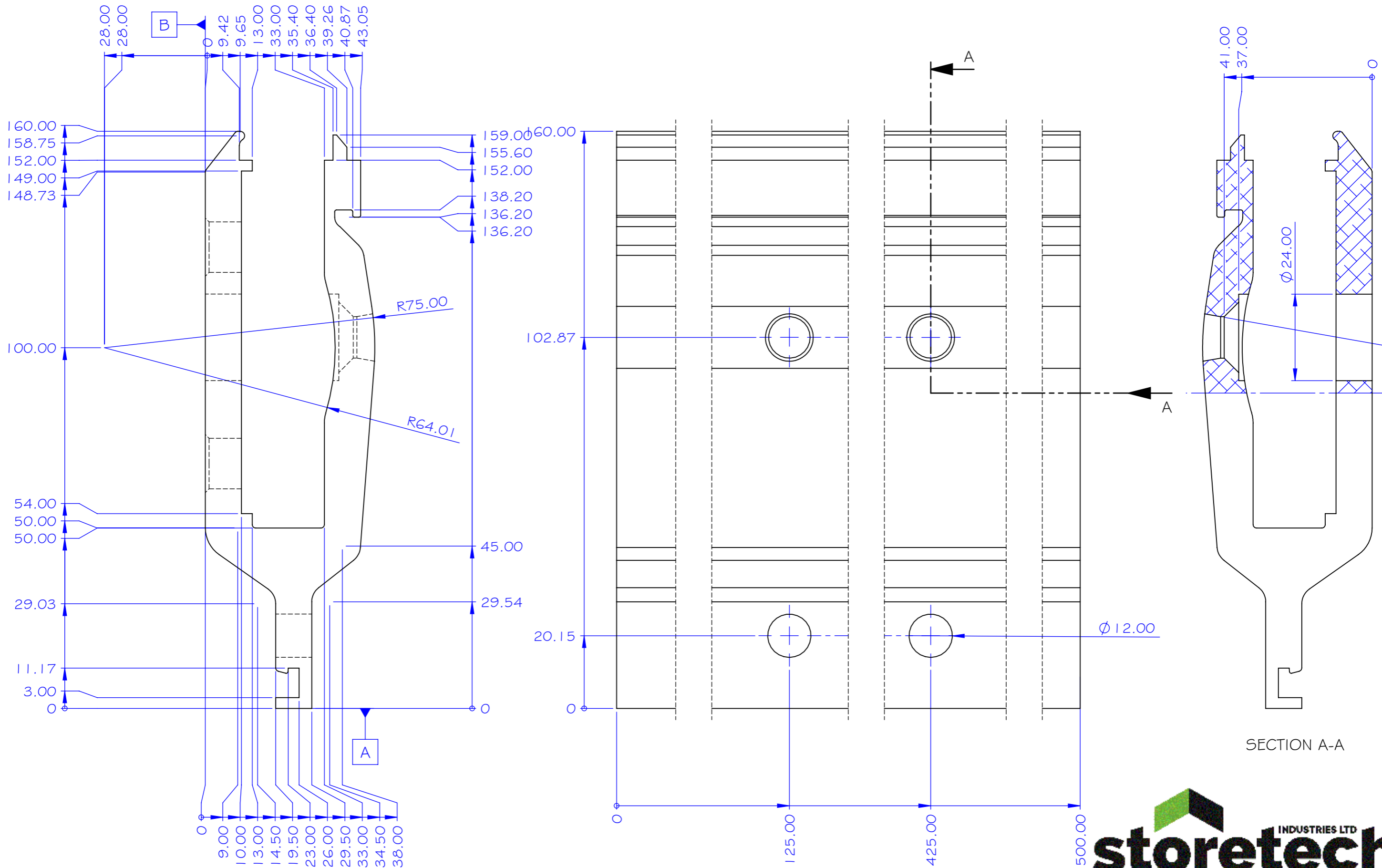
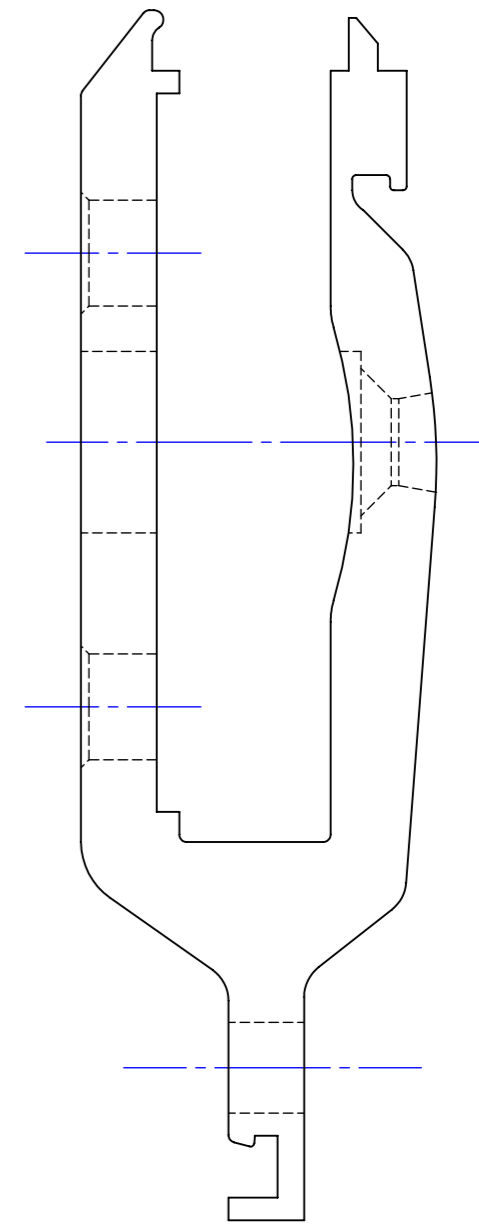
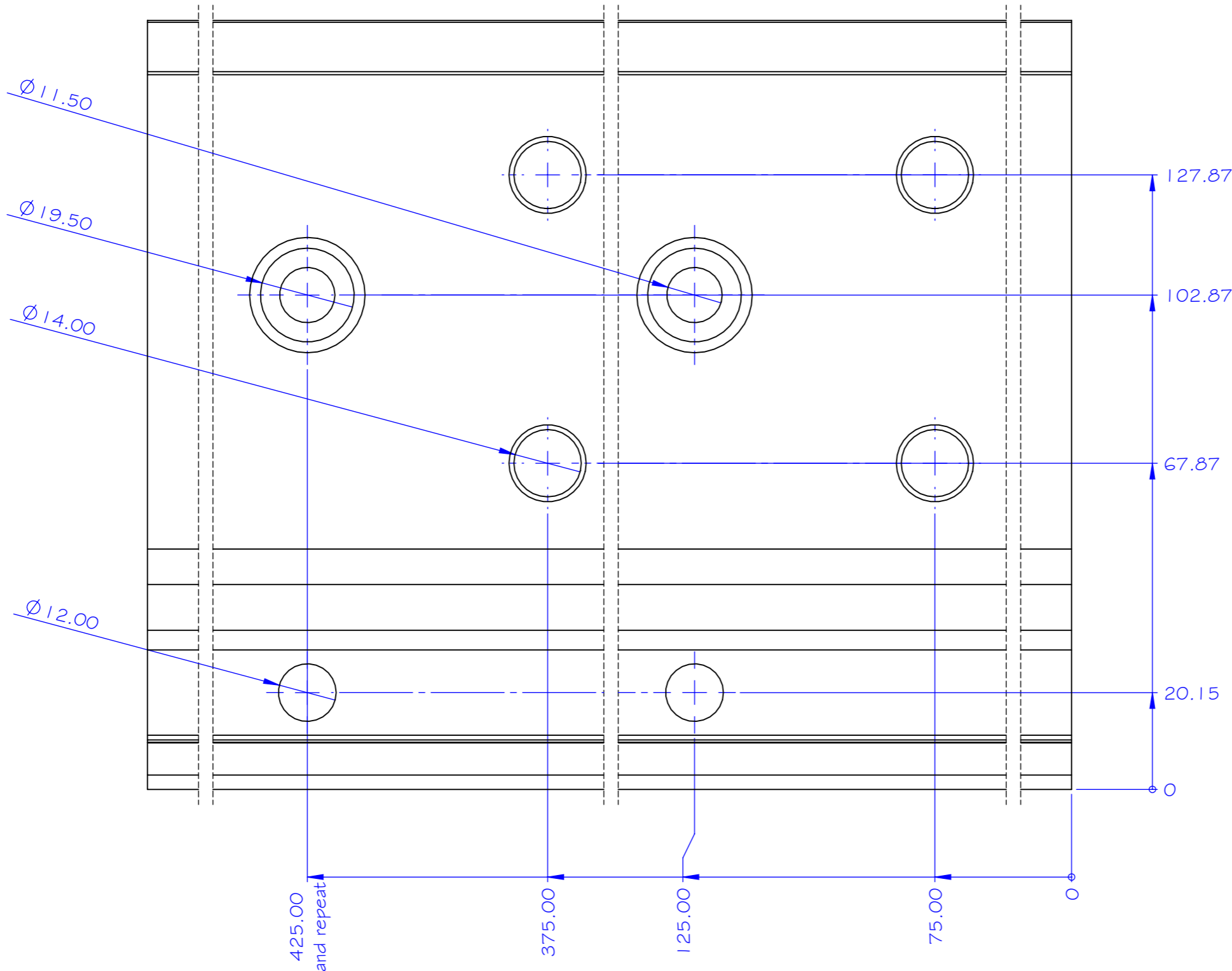



TOLERANCES O ±0.5mm ANGLE ±0.5° UNLESS OTHERWISE STATED	THE INFORMATION CONTAINED IN THIS DRAWING IS PROPRIETARY TO STORETECH AND SHALL NOT BE REPRODUCED OR DISCLOSED IN WHOLE OR IN PART OR USED FOR ANY DESIGN OR MANUFACTURE EXCEPT WHEN SUCH USER POSSESSES DIRECT WRITTEN AUTHORIZATION FROM STORETECH LTD.	DRAWN BY: MvB	DATE: 16/02/2022	NOTES:	MATERIAL: 6061-T6 (S5)	PHASE:	DESCRIPTION: Glass Channel				
		CHECKED BY:	3RD ANGLE PROJECTION		FINISH: Mill	PROCESS: Extrusion					
		DIMENSIONS ARE MILLIMETERS UNLESS OTHERWISE STATED. DO NOT SCALE DRAWING.			WEIGHT: 4028.80gr	TYPE:	SCALE: 1:2	SHEET: A3	SHEET: 1 of 4	PART NUMBER:	REVISION: 1

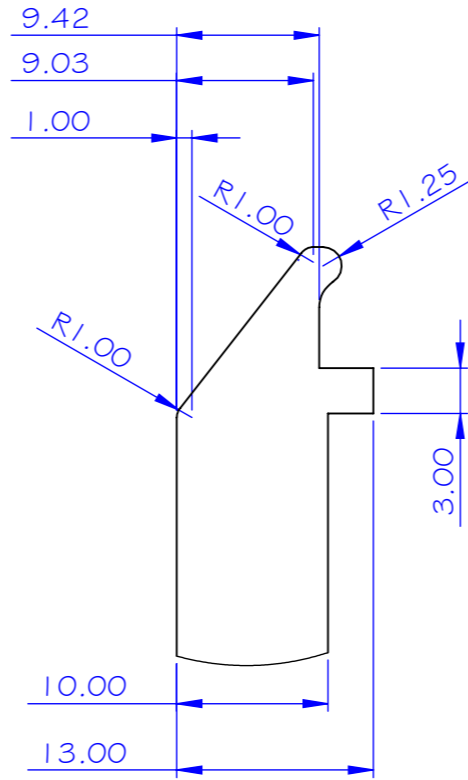
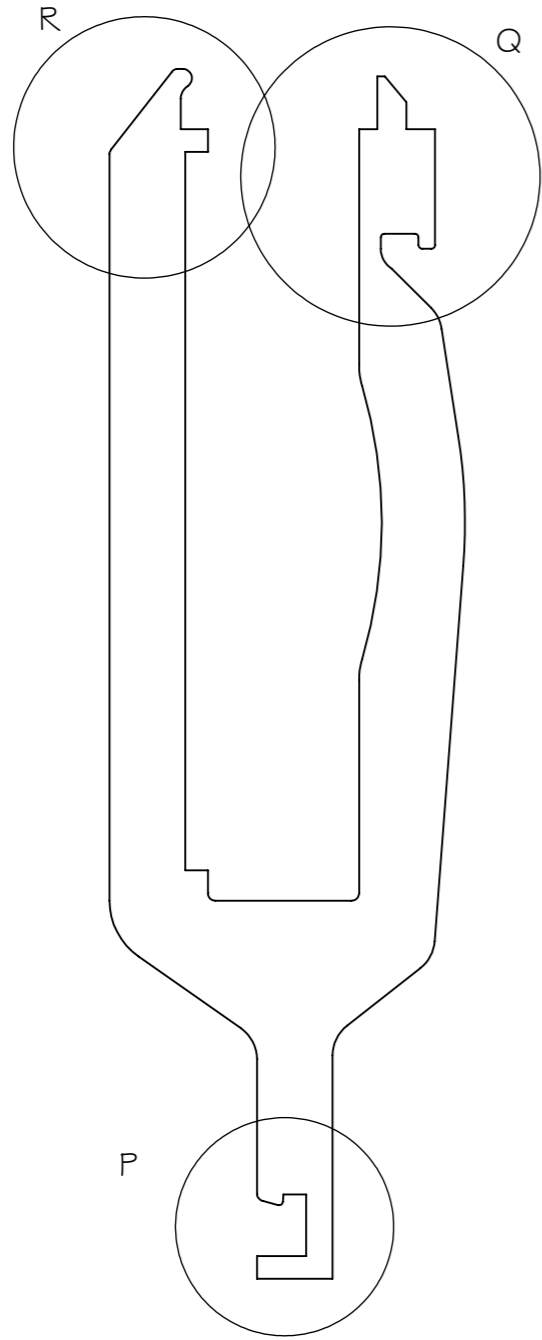


TOLERANCES O ±0.5mm ANGLE ±0.5° UNLESS OTHERWISE STATED	THE INFORMATION CONTAINED IN THIS DRAWING IS PROPRIETARY TO STORETECH AND SHALL NOT BE REPRODUCED OR DISCLOSED IN WHOLE OR IN PART OR USED FOR ANY DESIGN OR MANUFACTURE EXCEPT WHEN SUCH USER POSSESSES DIRECT WRITTEN AUTHORIZATION FROM STORETECH LTD.	DRAWN BY: MvB	DATE: 16/02/2022	NOTES:	MATERIAL: 6061-T6 (S5)	PHASE:	DESCRIPTION: Glass Channel			
		CHECKED BY:	3RD ANGLE PROJECTION		FINISH: Mill	PROCESS: Extrusion				
		DIMENSIONS ARE MILLIMETERS UNLESS OTHERWISE STATED. DO NOT SCALE DRAWING.			WEIGHT: 4028.80gr	TYPE:	SCALE: 1:1	SHEET: A3	SHEET: 2 of 4	PART NUMBER:

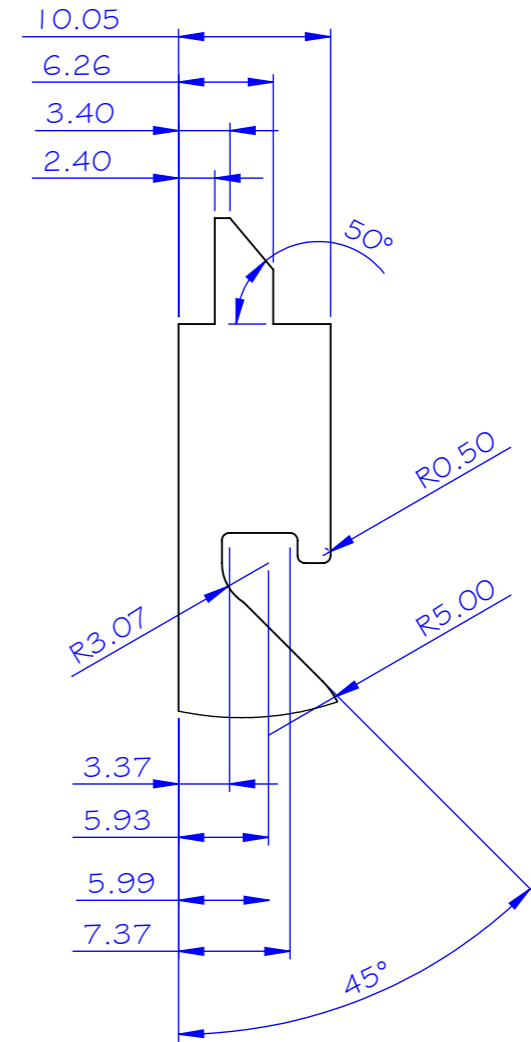


2 WAITANE PLACE, ONEKAWA, NAPIER

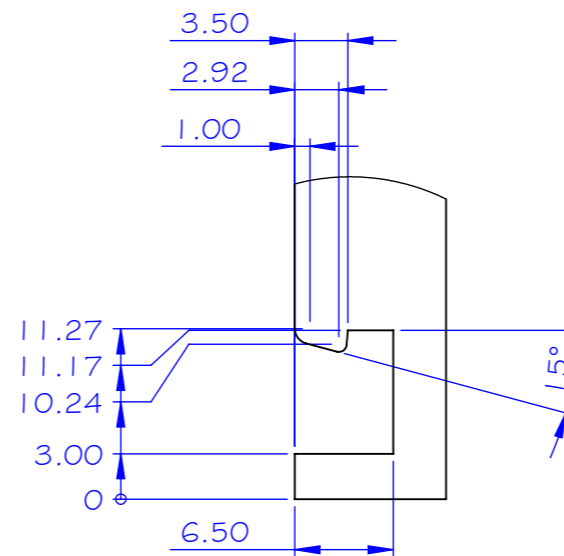
<p>TOLERANCES</p> <p>Ø ±0.5mm</p> <p>ANGLE ±0.5°</p> <p>UNLESS OTHERWISE STATED</p>	<p>THE INFORMATION CONTAINED IN THIS DRAWING IS PROPRIETARY TO STORETECH AND SHALL NOT BE REPRODUCED OR DISCLOSED IN WHOLE OR IN PART OR USED FOR ANY DESIGN OR MANUFACTURE EXCEPT WHEN SUCH USER POSSESSES DIRECT WRITTEN AUTHORIZATION FROM STORETECH LTD.</p>	<p>DRAWN BY:</p> <p>MvB</p>	<p>DATE:</p> <p>16/02/2022</p>	<p>NOTES:</p>	<p>MATERIAL:</p> <p>6061-T6 (S5)</p>	<p>PHASE:</p>	<p>DESCRIPTION:</p> <p>Glass Channel</p>				
		<p>CHECKED BY:</p>	<p>3RD ANGLE PROJECTION</p> 		<p>FINISH:</p> <p>Mill</p>	<p>PROCESS:</p> <p>Extrusion</p>	<p>SCALE:</p> <p>1:1</p>	<p>SHEET:</p> <p>A3</p>	<p>SHEET:</p> <p>3 of 4</p>	<p>PART NUMBER:</p>	<p>REVISION:</p> <p>1</p>
		<p>DIMENSIONS ARE MILLIMETERS UNLESS OTHERWISE STATED. DO NOT SCALE DRAWING.</p>			<p>WEIGHT:</p> <p>4028.80gr</p>	<p>TYPE:</p>					



DETAIL R
SCALE 2 : 1



DETAIL Q
SCALE 2 : 1



DETAIL P
SCALE 2 : 1



2 WAITANE PLACE, ONEKAWA, NAPIER

TOLERANCES O ±0.5mm ANGLE ±0.5° UNLESS OTHERWISE STATED	THE INFORMATION CONTAINED IN THIS DRAWING IS PROPRIETARY TO STORETECH AND SHALL NOT BE REPRODUCED OR DISCLOSED IN WHOLE OR IN PART OR USED FOR ANY DESIGN OR MANUFACTURE EXCEPT WHEN SUCH USER POSSESSES DIRECT WRITTEN AUTHORIZATION FROM STORETECH LTD.	DRAWN BY: MvB	DATE: 16/02/2022	NOTES:	MATERIAL: 6061-T6 (55)	PHASE:	DESCRIPTION: Glass Channel			
		CHECKED BY:	3RD ANGLE PROJECTION		FINISH: Mill	PROCESS: Extrusion				
DIMENSIONS ARE MILLIMETERS UNLESS OTHERWISE STATED. DO NOT SCALE DRAWING.				WEIGHT: 4028.80gr	TYPE:	SCALE: 1:1	SHEET: A3	SHEET: 4 of 4	PART NUMBER:	REVISION: 1