



scenik

invisibly superior

www.scenik.co.nz | 0800 235 2473

Tekapo Core Drill Spigot PS1 - POOL FENCING

Structural Design Report, Job 20073
Scenik Fencing – Extra high wind zone, various locations.
December 2022

PRODUCER STATEMENT – PS1 DESIGN



association of
consulting and
engineering



Building Code Clause(s):	B1, F2, F4	Job number: 20073
ISSUED BY: <i>(Engineering Design Firm)</i>	ExtraMile Consulting Ltd	
TO: <i>(Client)</i>	Storetech Industries Limited	
TO BE SUPPLIED TO: <i>(Building Consent Authority)</i>	Relevant Territorial Authority	
IN RESPECT OF: <i>(Description of building work)</i>	Structural engineering design for proprietary pool fence system ('Tekapo' Core Drilled Spigot)	
AT: <i>(Address)</i>	Various sites within occupancy and wind limits as stated on drawings	
LEGAL DESCRIPTION	Varies	

We have been engaged by Storetech Industries Limited to provide:

structural engineering design for proprietary pool fence system

in respect of the requirements of the Clause(s) of the Building Code specified above for all of the proposed building work.

The design carried out by ExtraMile Consulting Ltd has been prepared in accordance with:

- ✓ compliance documents issued by the Ministry of Business, Innovation & Employment (Verification method /acceptable solution): B1/VM1

The proposed building work covered by this producer statement is described in the drawings specified in the attached Schedule, together with the specification, and other documents set out in the attached Schedule.

On behalf of ExtraMile Consulting Ltd, and subject to:

- site verification of the following design assumptions:
 - Occupancy as stated on the drawings
 - Wind zones as stated on the drawings
- all proprietary products meeting their performance specification requirements;

I believe on reasonable grounds that:

- the pool fence, if constructed in accordance with the drawings, specifications, and other documents provided or listed in the attached Schedule, will comply with the relevant provisions of the Building Code specified above; and that
- the persons who have undertaken the design have the necessary competence to do so.

I recommend the Nil level of construction monitoring.

Job Number: 20073

Job Address: Various sites within occupancy and wind limits as stated on drawings, and wind limits as stated on drawings
Compilation Date and Time: 20 September 2022 at 9:53 AM

I, Pawel Michal Milewski, am:

- CPEng number 1021657
- and hold the following qualifications: MEng(Hons)

ExtraMile Consulting Ltd holds a current policy of Professional Indemnity Insurance no less than \$200,000.

ExtraMile Consulting Ltd is not a member of ACE New Zealand.

SIGNED BY: Pawel Michal Milewski

(Signature):



Date: 03.04.2023

ON BEHALF OF: ExtraMile Consulting Ltd

Note: This statement has been prepared solely for Relevant Territorial Building Consent Authority and shall not be relied upon by any other person or entity. Any liability in relation to this statement accrues to ExtraMile Consulting Ltd only. As a condition of reliance on this statement, Relevant Territorial Building Consent Authority accepts that the total maximum amount of liability of any kind arising from this statement and all other statements provided to Relevant Territorial Building Consent Authority in relation to this building work, whether in tort or otherwise, is limited to the sum of \$200,000.

This form is to accompany **Form 2 of the Building (Forms) Regulations 2004** for the application of a Building Consent.

SCHEDULE TO PS1

Please include an itemised list of all referenced documents, drawings, or other supporting materials in relation to this producer statement below:

- B2 Letter in Lieu - Design
- Engineering Drawing Set: 20073_Tekapo_Core_Drilled_Spigot_Pool_Fence_R.1_Drgs TCF01 to TCF03
- F2 Letter of compliance for glass used in the Storetech pool fencing system
- F9 Self closing pool gate information to comply with F9

GUIDANCE ON USE OF PRODUCER STATEMENTS

Information on the use of Producer Statements and Construction Monitoring Guidelines can be found on either the [ACE New Zealand](#) or [Engineering New Zealand](#) websites.

Producer statements were first introduced with the Building Act 1991. The producer statements were developed by a combined task committee consisting of members of the New Zealand Institute of Architects (NZIA), Institution of Professional Engineers New Zealand (now Engineering New Zealand), Association of Consulting and Engineering New Zealand (ACE NZ) in consultation with the Building Officials Institute of New Zealand (BOINZ). The original suite of producer statements has been revised at the date of this form to ensure standard use within the industry.

The producer statement system is intended to provide Building Consent Authorities (BCAs) with part of the reasonable grounds necessary for the issue of a Building Consent or a Code Compliance Certificate, without necessarily having to duplicate review of design or construction monitoring undertaken by others.

PS1 DESIGN: Intended for use by a suitably qualified independent engineering design professional in circumstances where the BCA accepts a producer statement for establishing reasonable grounds to issue a Building Consent;

PS2 DESIGN REVIEW: Intended for use by a suitably qualified independent engineering design review professional where the BCA accepts an independent design professional's review as the basis for establishing reasonable grounds to issue a Building Consent;

PS3 CONSTRUCTION: Forms commonly used as a certificate of completion of building work are Schedule 6 of NZS 3910:2013 or Schedules E1/E2 of NZIA's SCC 20112

PS4 CONSTRUCTION REVIEW: Intended for use by a suitably qualified independent engineering construction monitoring professional who either undertakes or supervises construction monitoring of the building works where the BCA requests a producer statement prior to issuing a Code Compliance Certificate.

This must be accompanied by a statement of completion of building work (Schedule 6).

The following guidelines are provided by ACE New Zealand and Engineering New Zealand to interpret the Producer Statement.

Competence of Engineering Professional

This statement is made by an engineering firm that has undertaken a contract of services for the services named, and is signed by a person authorised by that firm to verify the processes within the firm and competence of its personnel.

The person signing the Producer Statement on behalf of the engineering firm will have a professional qualification and proven current competence through registration on a national competence-based register such as a Chartered Professional Engineer (CPEng).

Membership of a professional body, such as Engineering New Zealand provides additional assurance of the designer's standing within the profession. If the engineering firm is a member of ACE New Zealand, this provides additional assurance about the standing of the firm.

Persons or firms meeting these criteria satisfy the term "suitably qualified independent engineering professional".

Professional Indemnity Insurance

As part of membership requirements, ACE New Zealand requires all member firms to hold Professional Indemnity Insurance to a minimum level.

The PI Insurance minimum stated on the front of this form reflects standard practice for the relationship between the BCA and the engineering firm.

Professional Services during Construction Phase

There are several levels of service that an engineering firm may provide during the construction phase of a project (CM1-CM5 for engineers³). The BCA is encouraged to require that the service to be provided by the engineering firm is appropriate for the project concerned.

Requirement to provide Producer Statement PS4

BCAs should ensure that the applicant is aware of any requirement for producer statements for the construction phase of building work at the time the building consent is issued. No design professional should be expected to provide a producer statement unless such a requirement forms part of ExtraMile Consulting Ltd's engagement.

Refer Also:

- 1 Conditions of Contract for Building & Civil Engineering Construction NZS 3910: 2013
- 2 NZIA Standard Conditions of Contract SCC 2011
- 3 Guideline on the Briefing & Engagement for Consulting Engineering Services (ACE New Zealand/Engineering New Zealand 2004)
- 4 PN01 Guidelines on Producer Statements

www.acenz.org.nz

www.engineeringnz.org

LETTER IN LIEU – DESIGN

To the Building Official,

Structural engineering design for proprietary pool fence system ('Tekapo' Core Drilled Spigot) at Various sites within occupancy and wind limits as stated on drawings, and wind limits as stated on drawings

COMPLIANCE WITH BUILDING CODE CLAUSE B2 – DURABILITY

The purpose of this letter is to demonstrate how compliance with Clause B2 (Durability) of the Building Code will be achieved for the above project. We can confirm that for specifically designed structural elements that are included within our design documentation:

Material	Means of Compliance	Details
Stainless Steel	B2/AS1	brackets and all fixings to be stainless steel

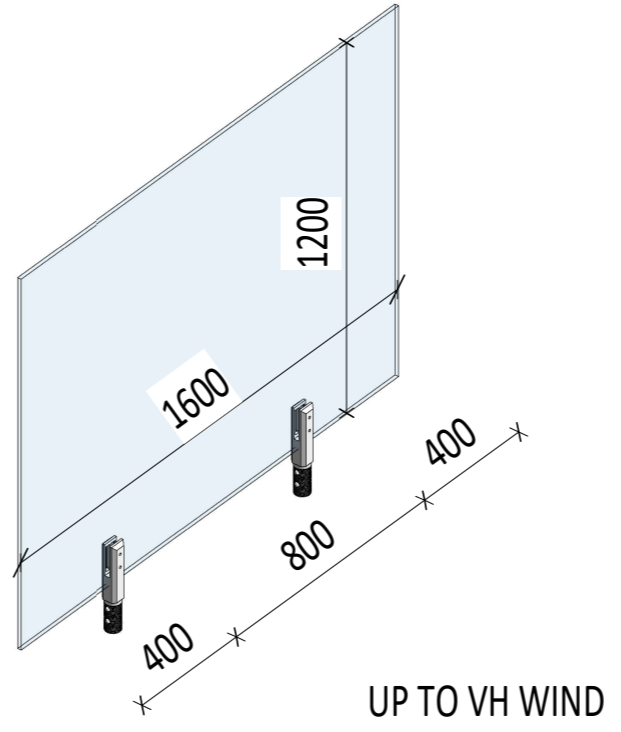
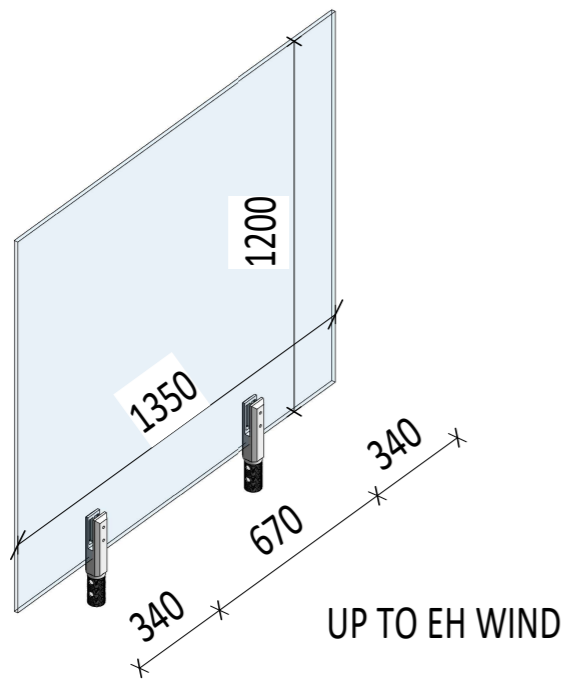
Yours faithfully,



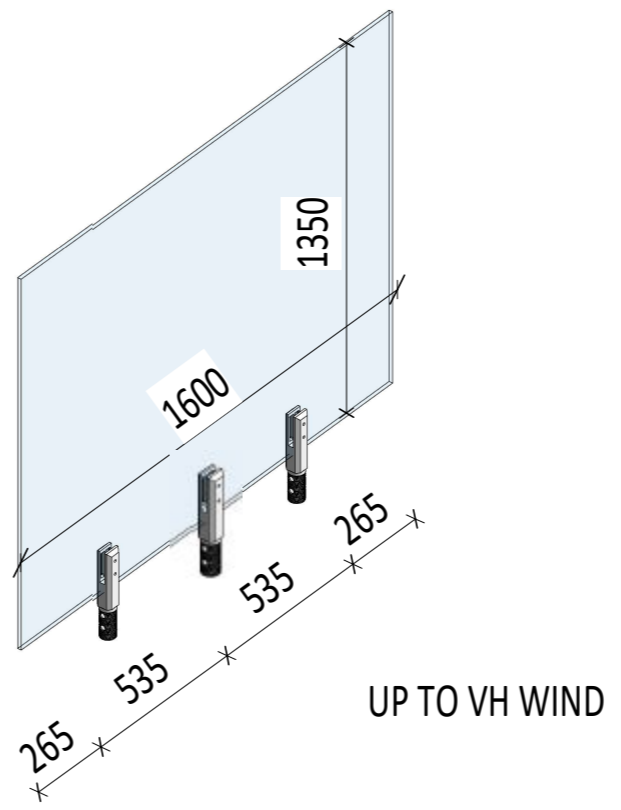
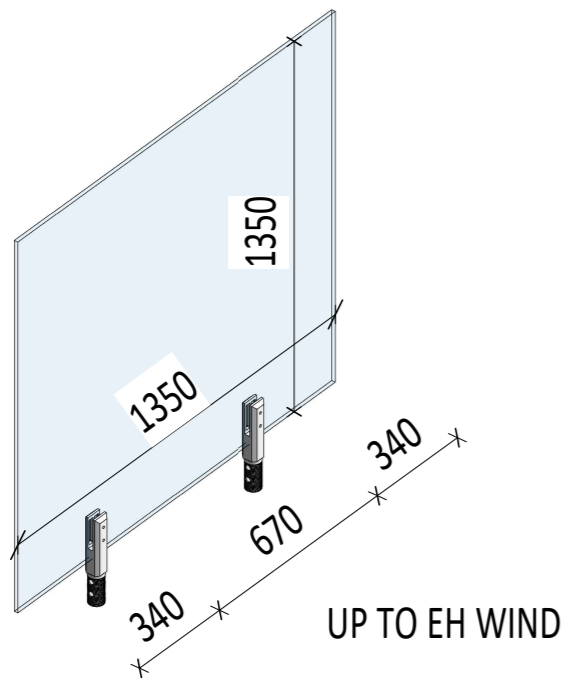
Pawel Michal Milewski

For and on behalf of

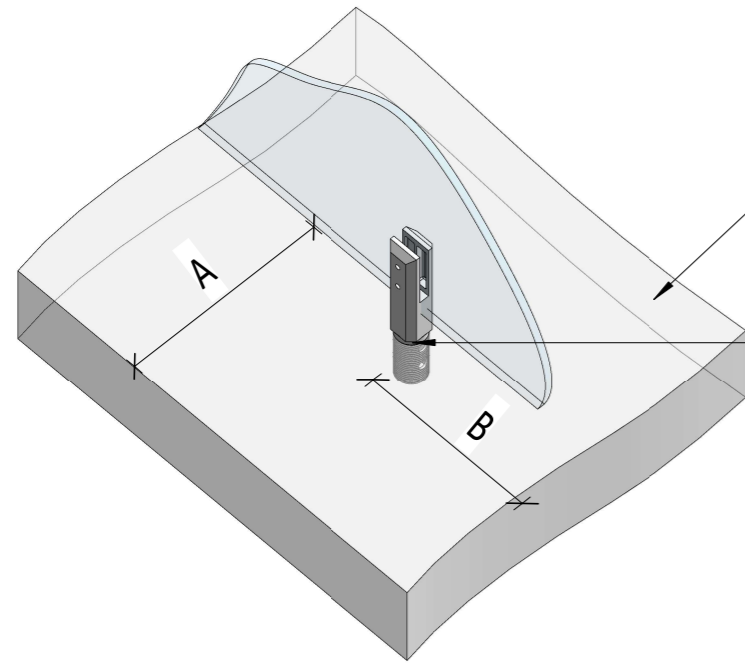
ExtraMile Consulting Ltd



REF.	DESCRIPTION	DATE
R.0	PRELIMINARY	220712
R.1	MINOR AMENDMENTS	220817
scale: @A3	drawn: AM	checked: PM
	status: P	project no: 20073
	drg no: TCF01	rev: R.1



REF.	DESCRIPTION	DATE
R.0	PRELIMINARY	220712
R.1	MINOR AMENDMENTS	220817
scale: @A3	drawn: AM	checked: PM
	status: P	project no: 20073
	drg no: TCF02	rev: R.1



MIN. 25MPA CONCRETE MIN. 150mm THICK
DESIGNED BY OTHERS TO HAVE SUFFICIENT
STRENGTH AND RIGIDITY TO SUPPORT THE
BALUSTRADE

MIN. EMBEDMENT INTO CONCRETE MIN. 75mm

A - EDGE DISTANCE MIN. 150mm
B - CORNER DISTANCE MIN. 250mm

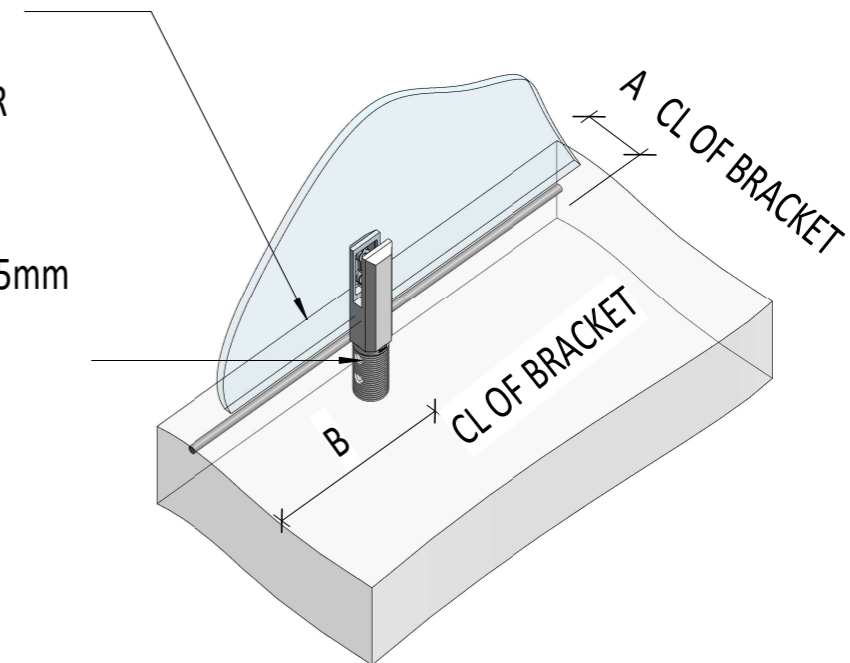
CONNECTION TO CONCRETE OPTION 1

MIN. 25MPA CONCRETE MIN. 150mm THICK
DESIGNED BY OTHERS TO HAVE SUFFICIENT
STRENGTH AND RIGIDITY TO SUPPORT THE
BALUSTRADE.

PROVIDE MIN.12mm DIA REINFORCING BAR
FOR EDGE DISTANCE LESS THAN 250mm

MIN. EMBEDMENT INTO CONCRETE MIN. 75mm

A - EDGE DISTANCE MIN. 90mm
B - CORNER DISTANCE MIN. 250mm



CONNECTION TO CONCRETE OPTION 2

REF.	DESCRIPTION	DATE
R.0	PRELIMINARY	220712
R.1	MINOR AMENDMENTS	220817
scale: @A3	drawn: AM	checked: PM
status: P	project no: 20073	drg no: TCF03
rev: R.1		

Section 3 – F2 Compliance

SAFETY GLASS CERTIFICATION F2: COMPLIANCE

STATEMENT OF COMPLIANCE

To satisfy the New Zealand Building Code Acceptable Solution F2/AS1, glass likely to come into contact with people must comply with NZS 4223: Part 3:2016 Code of practice for glazing in buildings – Human impact safety requirements.

NZS 4223: Part 3:2016 requires Grade A safety glass to be used in shower doors, shower screens and bath enclosures and Glass Pool Fencing.

Scenik Fencing confirms glass used in our Glass Pool Fencing and Balustrade has been produced to one or more of the following standards as outlined in NZS:4223:2016: Page Vi

AS/NZS 2208:1996 Grade A

NZS 8500:2006

BS 6206 Grade A

ANSI Z97.1

Peter Carney GENERAL MANAGER

M: 0800 235 2473 | info@scenik.co.nz



Signed: *Peter Carney*

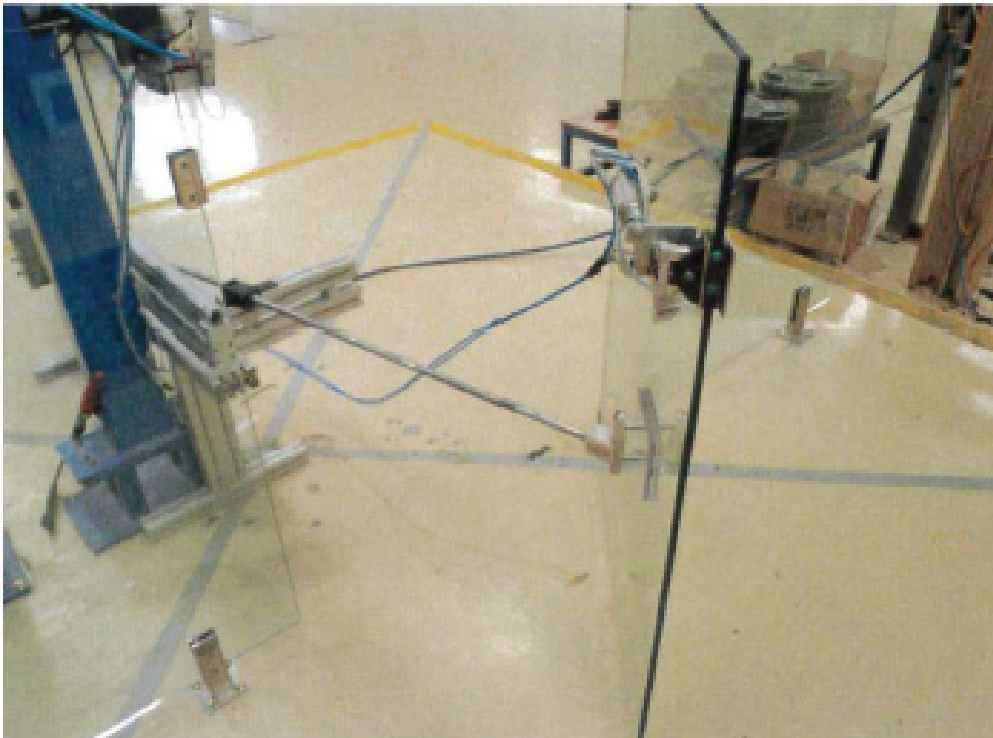
2 Waitane Place | Onekawa, Napier | New Zealand 3116

Tel: +64 6 8785 752 | Mob: +64 21 220 1403 | Fax: +64 6 8785 758

Section 4 – F9 Compliance (Pool Fencing Only)

To satisfy the New Zealand Building Code Acceptable Solution F9, Storetech has a self closing hinge and latch system that has been tested to comply with the New Zealand F9 pool fencing standard.

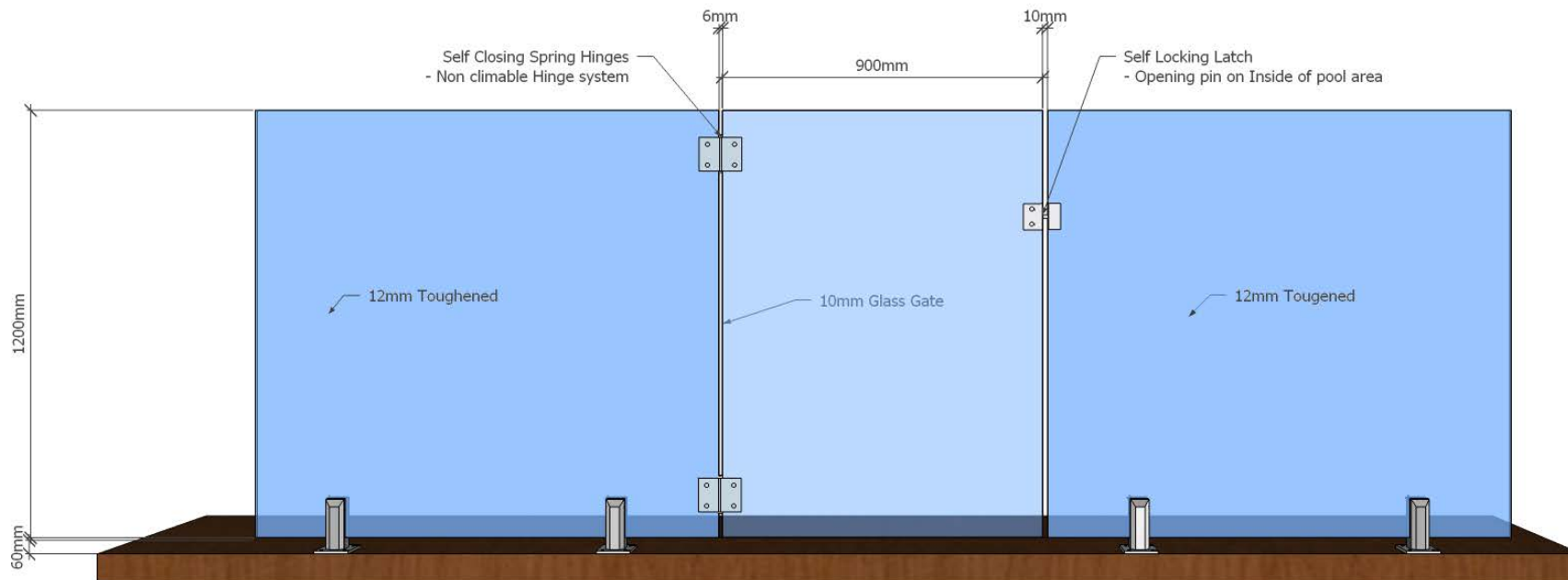
Completion of the 10,000 Cycle test as shown below



All glass gate hardware has been tested to more than 10,000 cycles. Report available on request.

- Gate Material: 10mm Toughened A grade glass
- Typical Gate Size: 900mm W x 1200mm H
- Lock Description - Magnetic self locking latch
- Lock on inside of the gate: YES
- Self Closing from all angles: YES
- Self Closing from 150mm of Open: YES
- Overall gate height above ground 1260mm
- Polaris self closing soft close hinges tested to 10,000 cycles

Typical Gate Layout to Comply with F9
- Gate Must open away from the pool



ENGINEERED FRAMELESS GLASS POOL FENCING | GLASS BALUSTRADES | GLASS WIND BREAKS